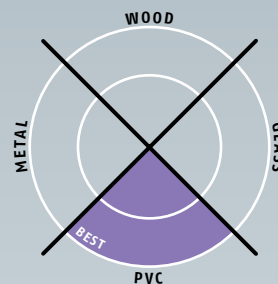


Planet RS → 20,8 / 24 x 20 mm | ↓ 16 mm | ≤ 50 dB

DOOR MATERIAL



Main features

- Seal height up to ↓ 16 mm
- Acoustic insulation up to ≤ 50 dB in case of an optimal sealing
- Fastening bracket suitable to Euro groove 16 mm
- Suitable to groove of street door 24 mm
- Assembly set for all common system manufacturers
- Unilateral and soundless release, silent seal
- Due to parallel drop-down no trailing on the floor
- For double leaf folding doors with flush bolt or driving bar
- Can be shortened up to the next shorter length on stock
- No extra need to cut off silicone at both ends
- 7 years warranty

Versions / options

- Planet RS → RD ≤ 50 dB, smoke-shielding
- Planet RS → FH+RD ≤ 50 dB, fire-retardant + smoke-shielding
→ **Attention!** Please contact the door manufacturer / system designer for the fire protection approval
- Option bevel lip ≤ 44 dB, up to ↓ 20 mm, for uneven floors
- **NEW** Option Planet RS-plus ≤ 54 dB for best sound protection (Proof for MF-plus)
- Possibility of silicone-free (TPE) execution
- Option Double-shortening → refer to chapter Accessories | TR125
- Special versions on request

Door types with Planet RS



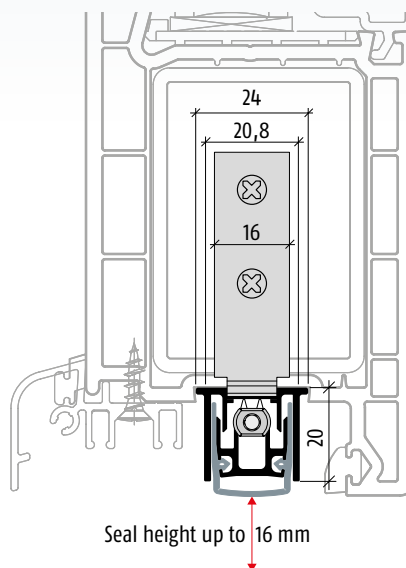
Double leaf doors → refer to chapter Accessories | Flush bolt, drilling

More functions



Technical specifications

Profile material	aluminum, → 20,8 / 24 x 20 mm
Seal profile	high-grade silicone or high-grade self-extinguishing silicone
Seal height	up to ↓ 16 mm
Sound absorption value	up to ≤ 50 dB at 7 mm space to the floor; up to ≤ 43 dB at 16 mm space to the floor
Lift height adjustment	on the release knob with an Allen key 3 mm
Lengths in stock	335, 460, 585, 710, 835, 960, 1085, 1210, 1335, 1460, 1585 mm
Special lengths	on request up to 6000 mm for wing- and sliding doors
Release	unilaterally on hinge side
Can be shortened	up to the maximum of 125 mm (335 mm only 115 mm)
Fastening	with assembly set execution system manufacturer
Test approvals	on request



Versions | Options | Accessories



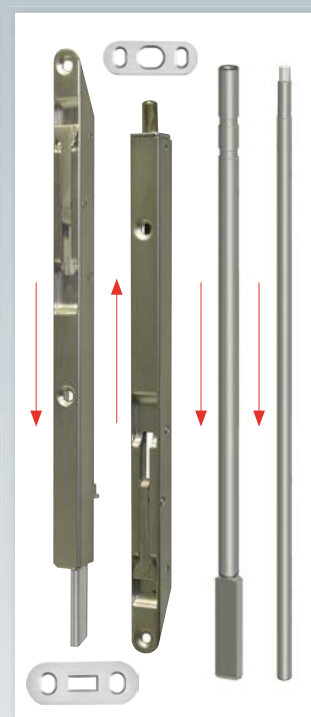
Option: Planet RS-plus for best sound protection



Planet RS with fastening brackets, release side



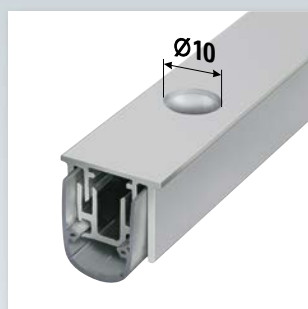
Example: assembly set RS → refer to list system manufacturers



Accessories: Planet KR flush bolt, incl. strike plate → refer to chapter Accessories | Flush bolt
Driving bar rods flattened → see pages 151 – 161



Option: Planet RS with Planet drill hole $\varnothing 5 \times 13$ mm and driving bar rod → refer to chapter Accessories | driving bar rods



Option: Planet RS with Planet drill hole for flush bolt, driving bar rods → refer to chapter Accessories | driving bar rods



Option: Planet RS with bevel lip for uneven floors

Order specifications

Planet RS → RD ≤ 50 dB incl. assembly set MF	Prod. code 55xxx*
Planet RS → FH+RD ≤ 50 dB incl. assembly set MF	Prod. code 59xxx*

* xxx = refer to price list for profile length

Assembly set for profile system manufacturers

PVC Universal	incl. fastening brackets, frame protector plate	code 900507
ALU Universal	incl. fastening brackets, frame protector plate	code 900508
Aluplast	incl. fastening brackets, frame protector plate	code 900505
Everest	incl. fastening brackets, frame protector plate	code 900506
Gealan	incl. fastening brackets, frame protector plate	code 900502
Kömmerling	incl. fastening brackets, frame protector plate	code 900503
Rehau	incl. fastening brackets, frame protector plate	code 900504
Schüco	incl. fastening brackets, frame protector plate	code 900501
Veka	incl. fastening brackets, frame protector plate	code 900500

x-x = Several Planet floor strikes available in different adjustment range refer to chapter Accessories | BM

Accessories | Options

Planet RS-plus ≤ 54 dB for best sound protection	refer to price list, options/supplements
Planet frame protector plate Typ 10 suitable to VEKA, GEALAN, Kömmerling, REHAU	Prod. code 900467
Planet frame protector plate Typ 11 suitable to Schüco	Prod. code 900482
Assembly set MF Typ metal incl. fastening bracket and self-drilling screws	Prod. code 900261
Cut the Planet to fix dimension	Prod. code 900200
Planet drill hole $\varnothing 5 \times 13$ mm including plastic guide, for Planet KR and driving bar rods flattened → refer to chapter Accessories Flush bolt, drilling	Prod. code 900190
Planet drill hole $\varnothing 10$ mm	Prod. code 900280
Planet BM floor strikes → refer to chapter Accessories BM	Prod. code 90034x-x Prod. code 90027x-x
Bevel lip (≤ 44 dB, up to $\downarrow 20$ mm) DIN L or DIN R	refer to price list, options/supplements

Advertising text



Planet RS → RD (smoke-shielding) ≤ 50 dB

Automatic door drop-down seal **Planet RS → RD ≤ 50 dB**, for sound absorption and smoke-shielding doors, release on hinge side with automatic compensation in case of an inclined floor, parallel drop-down, seal height up to $\downarrow 16$ mm. Silicone lip, fastening on the top. Aluminum profile → **20,8 / 24 x 20 mm**.

Advertising text



Planet RS → FH+RD (fire-retardant + smoke-shielding) ≤ 50 dB

Automatic door drop-down seal **Planet RS → FH+RD ≤ 50 dB**, for sound protection-, smoke-shielding and fire-retardant doors, release on hinge side with automatic compensation in case of an inclined floor, parallel drop-down, seal height up to $\downarrow 16$ mm. Self-extinguishing silicone lip, fastening on the top. Aluminum profile → **20,8 / 24 x 20 mm**.